

GAMVED

CAPTRON

series10

the revolution in HMI technologies



EN



DISCOVER THE NEW **CANEO series10**.
THE NEW HMI STANDARD.

Discover the new **CANEO series10**.
The latest member of the CANEO product family combines outstanding design and nearly unlimited configuration options. Thanks to its adaptive capabilities, as well as supporting IO-Link and further protocols, this capacitive switch can be seamlessly integrated in networked environments.



Whether high-quality plastic or stainless steel: The **CANEO series10** impresses both, in look and feel.

The new **CANEO series10** offers flexibility in every regard. Practically, all operating and electrical parameter can be freely configured via IO-Link: from the activation sensitivity to the minimum activation period, right through to interface behavior (PNP, NPN, NO, NC).

The switch also offers full degree of freedom in regards to light. Choose different color shades depending on the particular activation, or parameters such as static or flashing illumination. Select from a wide range of standard, pre-fabricated symbol variants.



16 MILLION COLORS

An innovative lighting concept with four lateral spotlights allows the SENSORswitch not only to appear larger, but also provides better switch status visibility from the side.



SYMBOLS ILLUMINATED

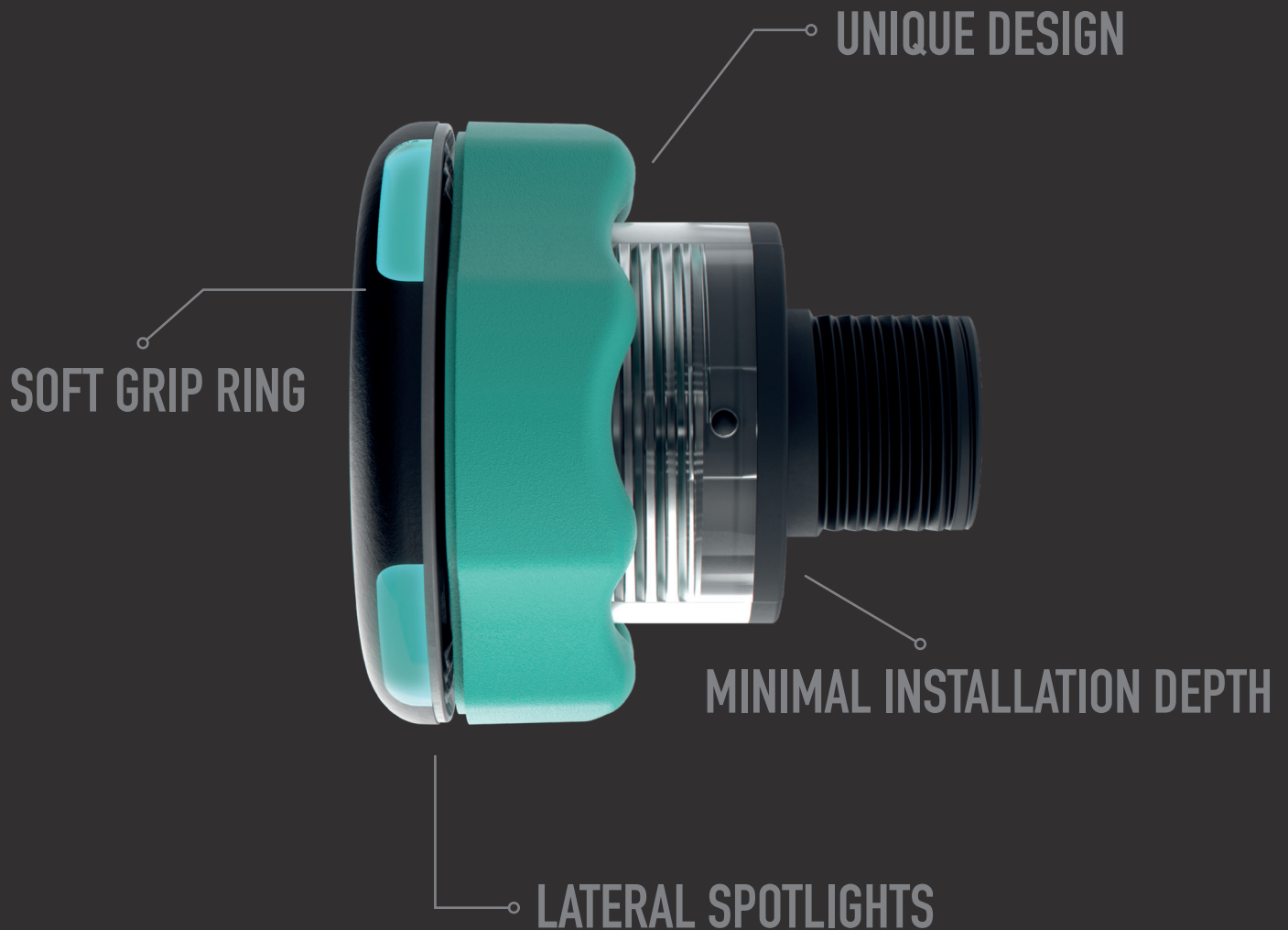
When selecting display symbols, CAPTRON customers also have the choice of countless predefined pictograms that can also be illuminated. Customized symbol design is also possible.

EXAMPLES OF SYMBOLS



Other symbols are possible.

DISCOVER THE NEW **CANEO series10**.
THE NEW HMI STANDARD.



ROBUST AND LONG-LASTING

Thanks to high impact IK08 resistance, the **CANEO series10** is also very effective in rough work environments. At the same time, the switch is vandal proof and can withstand extreme impact forces to the switch surface. The switch is certified per IEC 60947-5-1 and IEC 61010 and meets or even exceeds all relevant technical standards.



WATER-RESISTANT

The new Sensor Fusion Technology allows friction-free operation, even in wet or moist environments. The **CANEO series10** therefore won't be activated by splash or cleaning water, but instead only switches through intentional contact.



FREELY PROGRAMMABLE

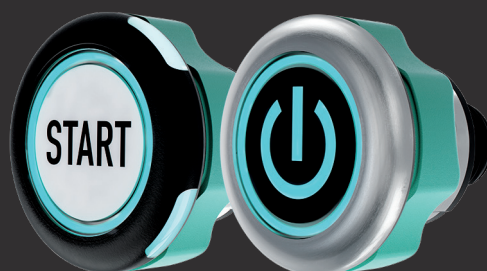
With the **CANEO series10**, practically all operating and electrical parameter can be freely configured. Amongst others, this includes scanning sensitivity, the type of activation (dynamic, static, toggle), the adjustable interfaces (PNP, NPN, NO, NC) via IO-Link, fluorescent color on activation, and parameter such as static or flashing illumination.



ADAPTIVE BRIGHTNESS

A light sensor additionally makes it possible to measure the ambient brightness in the surrounding of the **CANEO series10**, and therefore, enables the switch to automatically adapt its own level of illumination – an ideal function to ensure intense, readily discernible illumination in sunlight and to prevent a glare effect at night.

CANEO series10 STANDARD



CANEO series10 STAINLESS STEEL

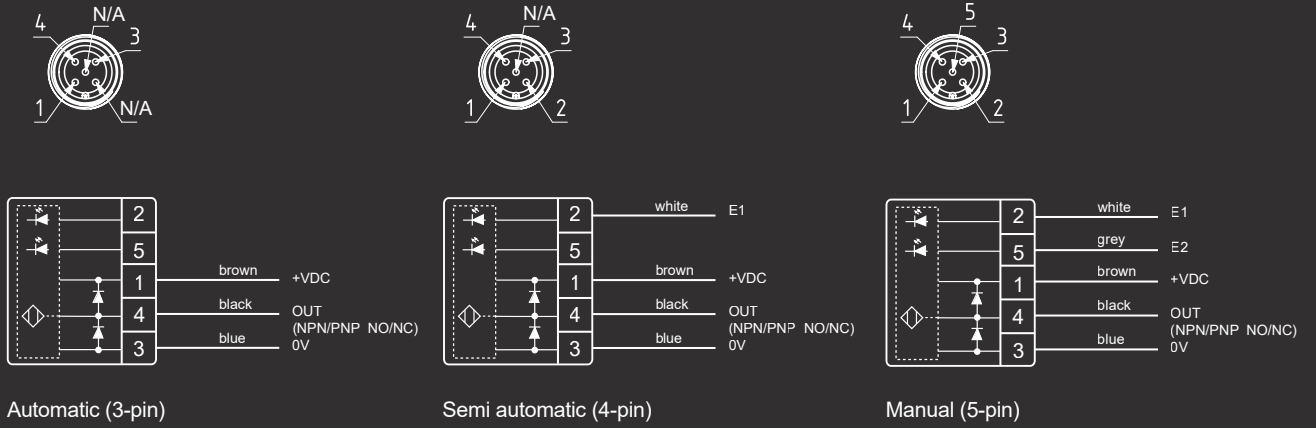
DISCOVER THE NEW CANEO series10. THE NEW HMI STANDARD.

The CANEO series10 combines supreme quality with timeless design. The elegant exterior houses robust technology that is capable of withstanding even the harshest conditions and is IP69K and IK08 certified. Besides using resistant material, also used for tools, the capacitive method plays a key role here: The fully encapsulated electronics eliminate any mechanical movement and, therefore, offers a literally maintenance-free service life. The sensitivity can be adjusted as desired, so that not even work gloves affect the functionality.

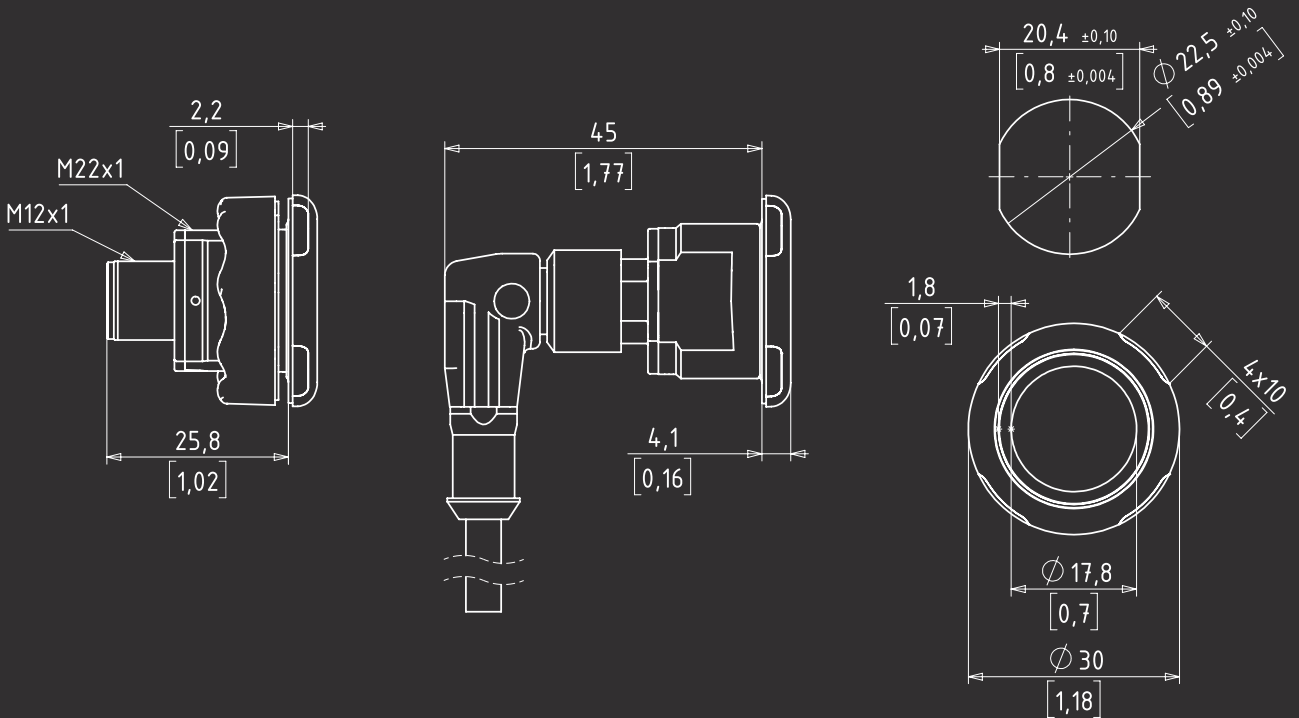
TECHNICAL SPECIFICATIONS AT 24 V AND 20 °C

Operating voltage	DC 24 V (8,4...32 V)
Load current	Max. 200 mA
Output	PNP-NO, PNP-NC, NPN-NO, NPN-NC
Communications interface	IO-Link
Output pulse duration	Adjustable
Reverse polarity protection	Protection of all cables/lines
Short circuit protection	Protected against short circuit and overload
Voltage drop	Max. 5 V at 200 mA
Power consumption at 24 V	Max. 40 mA
Operating temperature	-30 °C (-22 °F)...+65 °C (149 °F)
Degree of protection IP	Front IP69K
Degree of protection IK	IK08
Type of actuation	Capacitive
Actuation force	No actuation force required
Standards	DIN EN 61010 / DIN EN 60947-5-1
Sealing material	TPE basalt gray
Housing material	PC transparent / TPU black Stainless steel 1.4404

PROGRAMMABLE CONNECTION OPTIONS



DIMENSION DRAWINGS



All dimensions in mm. Imperial measurements in square brackets.

Connecting cables M12 available as accessory.

HQ / Sales Germany
CAPTRON Electronic GmbH

Johann-G.-Gutenberg-Str. 7
D - 82140 Olching
Fon: +49 8142 - 44 88 - 160
Fax: +49 8142 - 44 88 - 100
sales@captron.com
www.captron.de

Sales Asia
CAPTRON Electronic Co., Ltd.

Xing Han Street 5, Block B, 1st Floor Unit 112 / 113
CN - 215021 Suzhou Industrial Park
Fon: +86 512 - 6767 80 - 45
Fax: +86 512 - 6767 80 - 47
sales@captron.cn
www.captron.cn

Sales North America
CAPTRON North America LP

611 W. Hartsdale Ave
White Plains, NY 10607, USA
Fon: +1 914 - 619 5422
Fax: +1 914 - 613 3888
sales@captron.us
www.captron.us

